



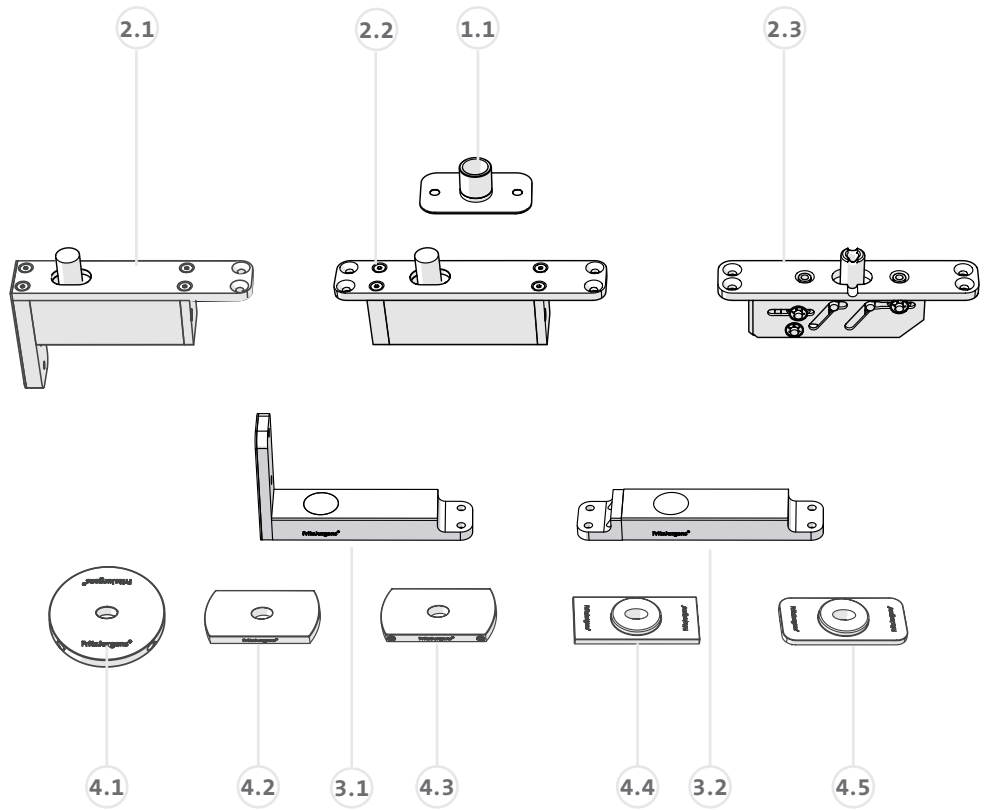
FritsJurgens®

SYSTEM ONE  
MILLING AND MOUNTING MANUAL

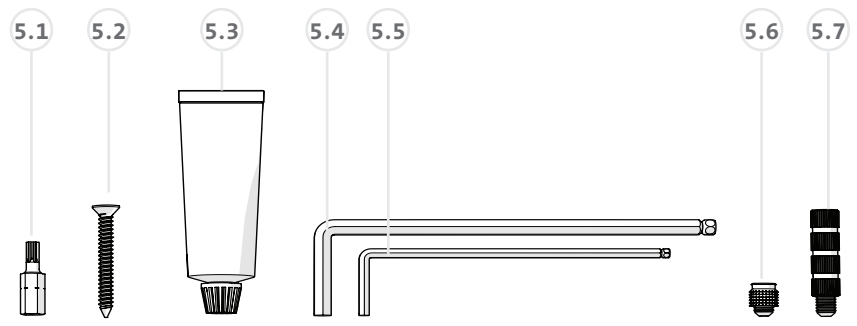
# BOX CONTENTS

## COMPONENTS

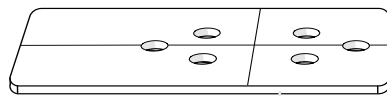
- 1.1 Ceiling plate - Class G
- 2.1 Top pivot 40 mm - Class G
- 2.2 Top pivot 70 mm - Class G
- 2.3 Top pivot Cable Grommet
- 3.1 Bottom pivot System One 40 mm
- 3.2 Bottom pivot System One 70 mm
- 4.1 Floor plate - Round
- 4.2 Floor plate - Squared NA
- 4.3 Floor plate - Squared black
- 4.4 Floor plate - Flush squared
- 4.5 Floor plate - Flush rounded



## MILLING AND MOUNTING KIT



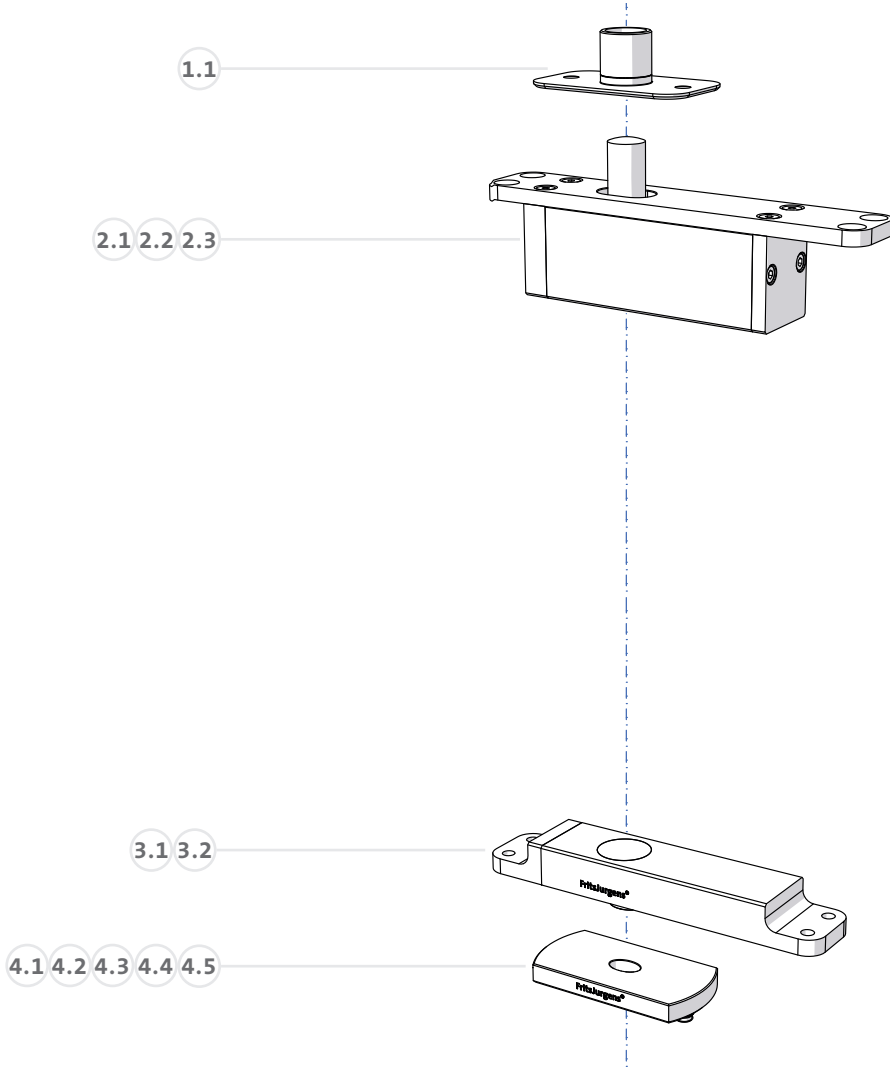
- 5.1 Torx bit TX20 (1x)
- 5.2 Screws (Ø4×50) (10x)
- 5.3 Fitting adhesive
- 5.4 Allen key 5
- 5.5 Allen key 3
- 5.6 Mounting pins, short\* (2x)
- 5.7 Mounting pins, long\* (2x)
- 5.8 Drilling template



\* Only in box floor plate squared black and in box floor plate squared NA

# SYSTEM OVERVIEW

---



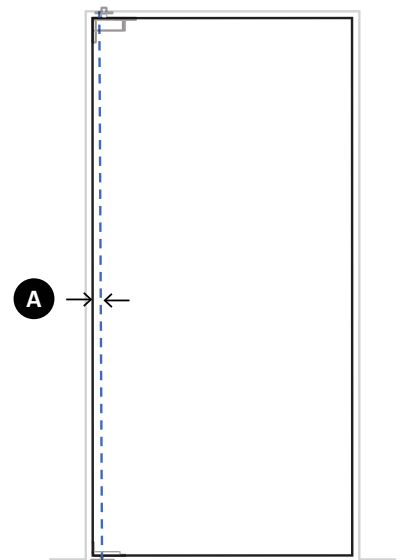
# MILLING INSTRUCTIONS

→ Determine pivot point **A**.

## System One

- **A** = 40 mm → page 4
- $70 \text{ mm} \leq \mathbf{A} \leq 250 \text{ mm}$  → page 6
- **A** > 250 mm → page 8

Top pivot Cable Grommet → page 10



# MOUNTING INSTRUCTIONS

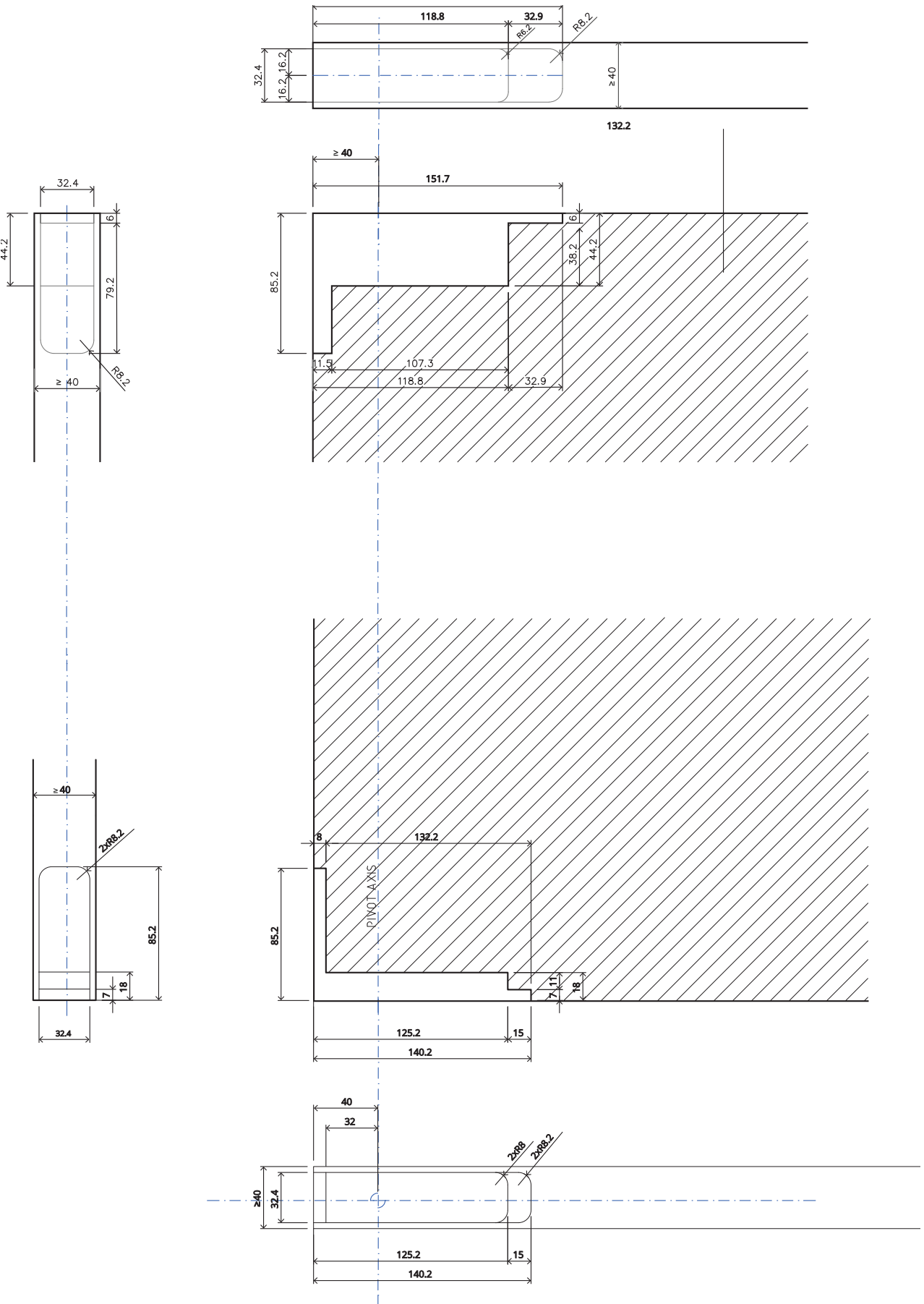
→ page 11

---

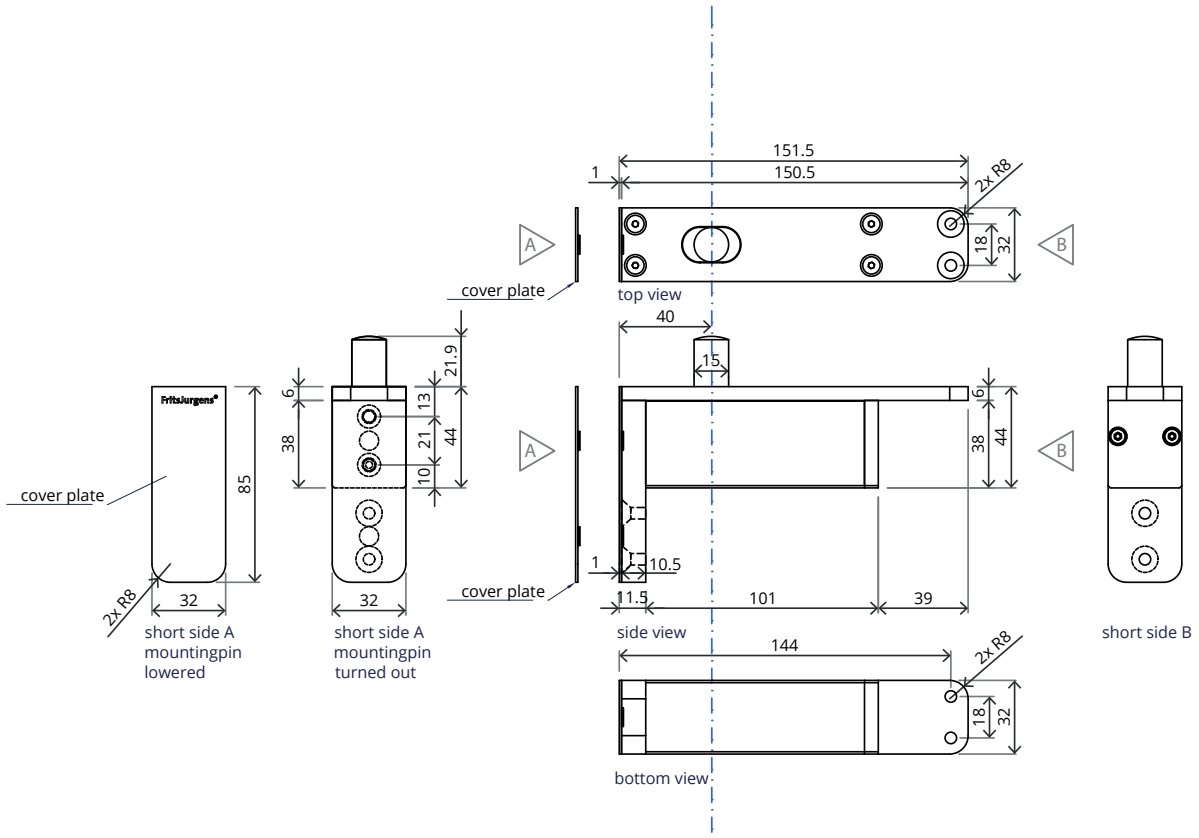
# MILLING INSTRUCTIONS

A = 40 MM

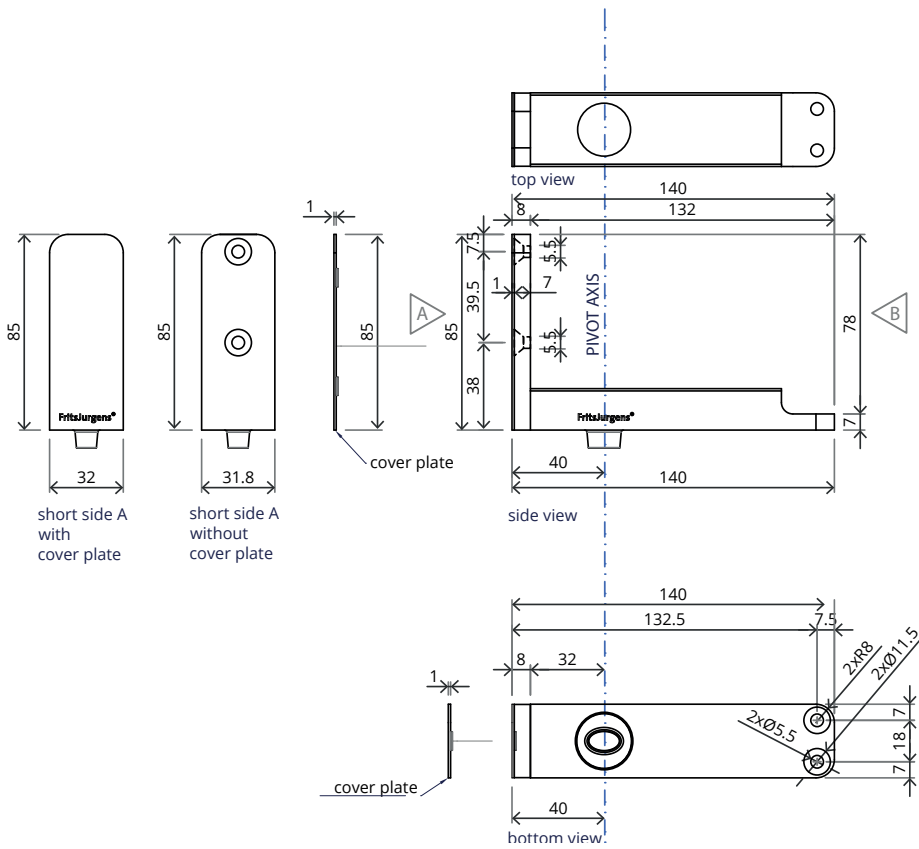
PREPARING THE DOOR



COMPONENTS



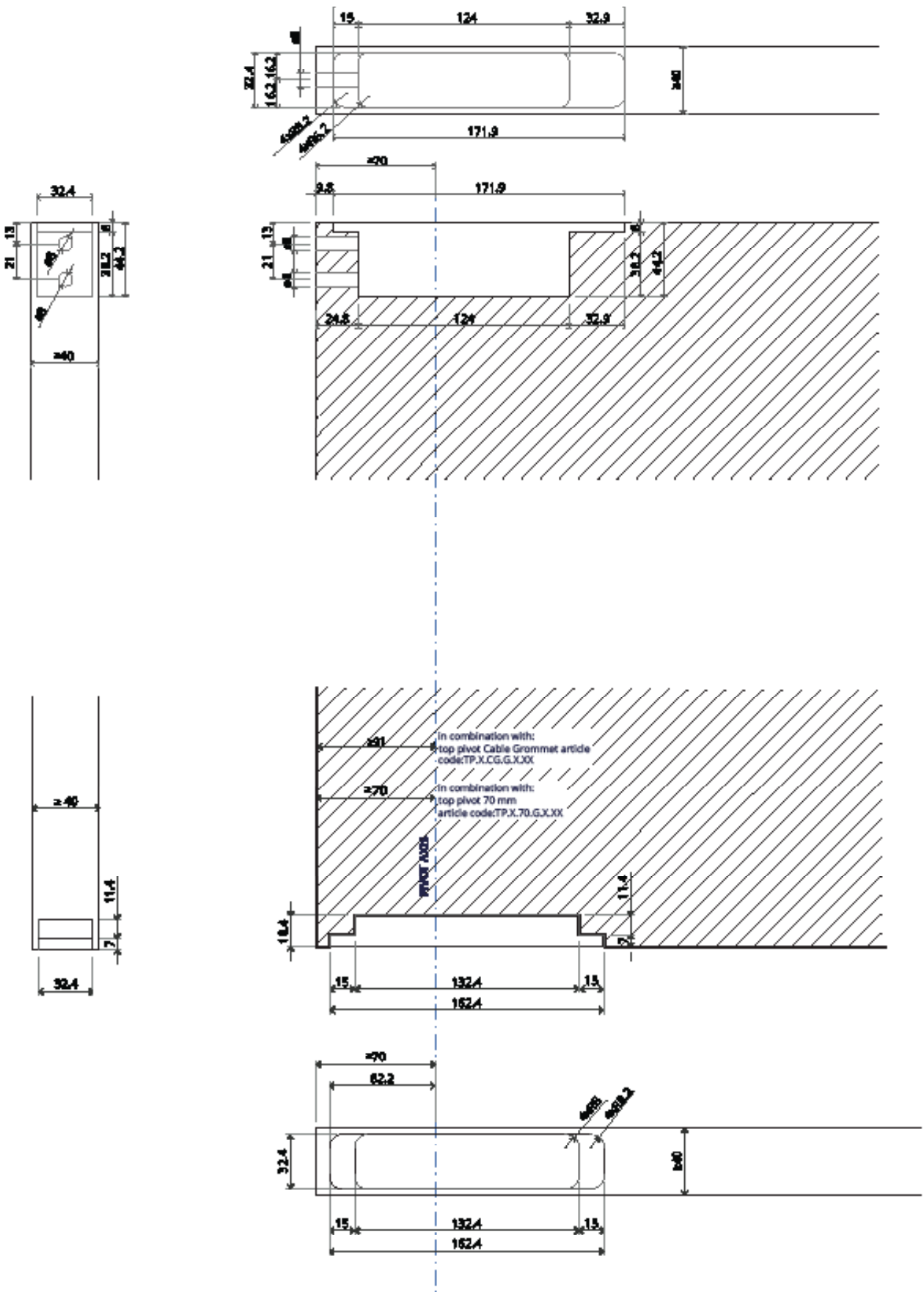
Top pivot 40 mm - Class G



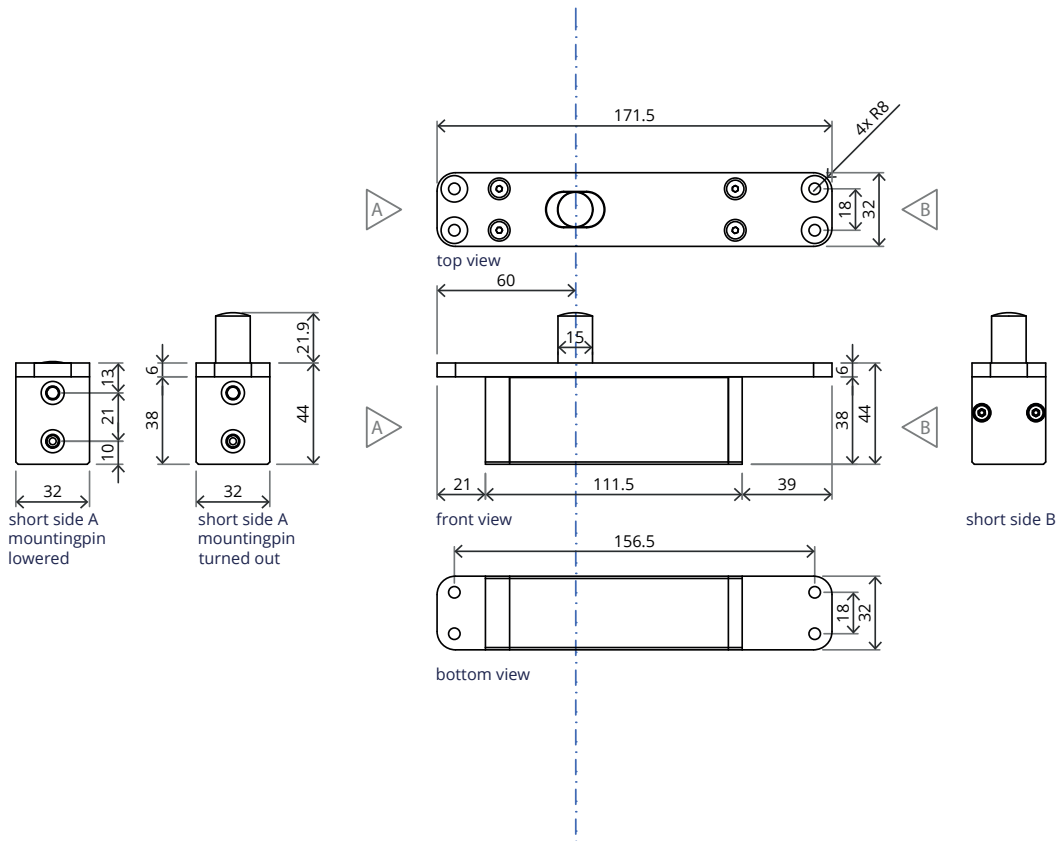
Bottom pivot System One 40 mm

# MILLING

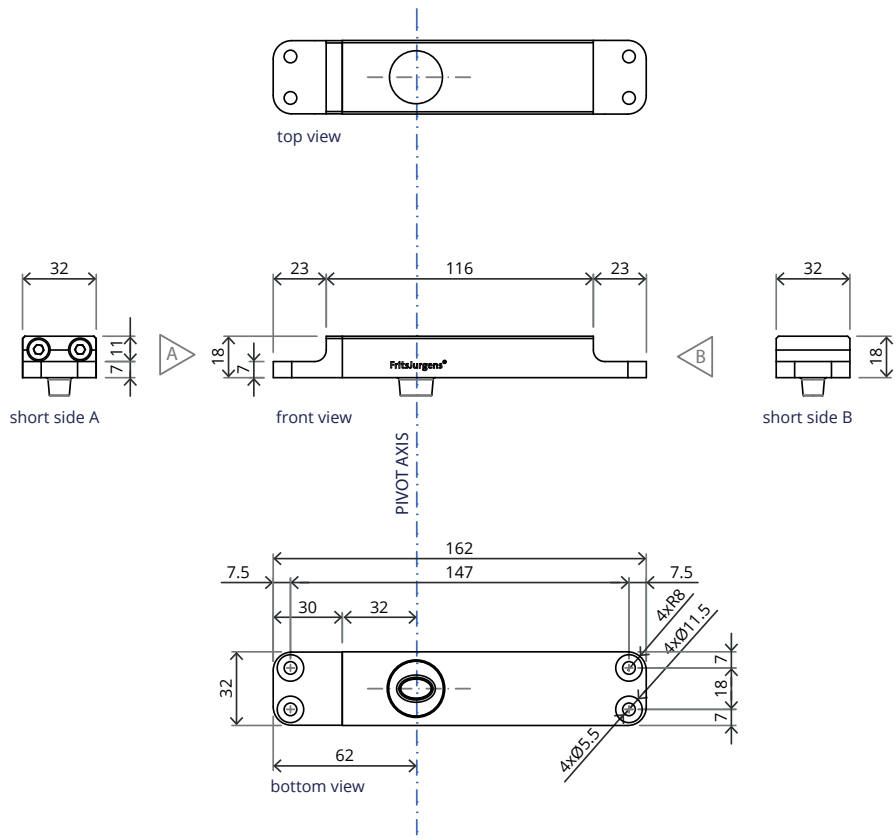
70MM ≤ A ≤ 250 MM  
 PREPARING THE DOOR



COMPONENTS



Top pivot 70 mm - Class G



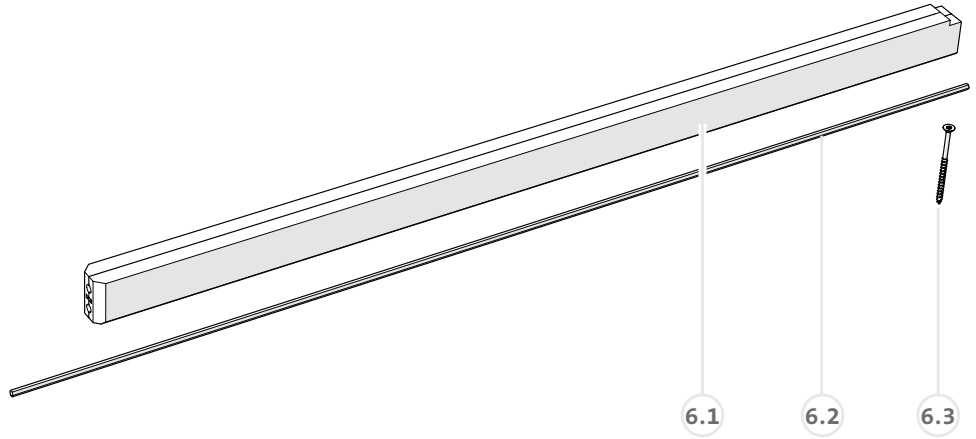
Bottom pivot System One 70 mm

# MILLING

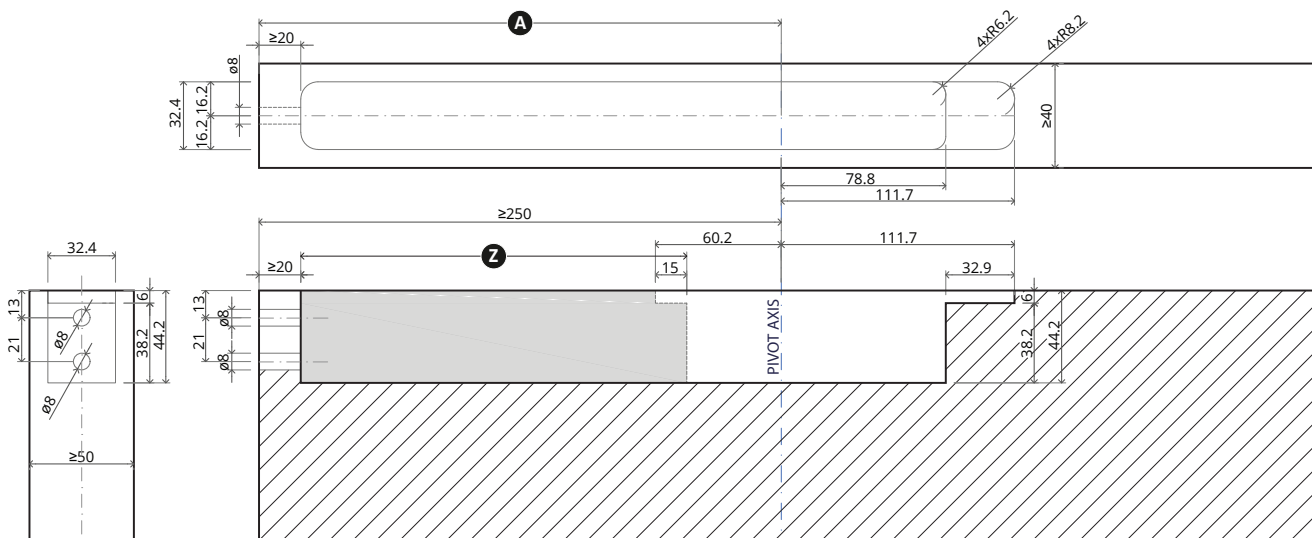
A > 250 MM

## SUPPORTING COMPONENTS

- 6.1 Hexagon Guide 1 m or Hexagon Guide 2 m
- 6.2 Hexagon 1.1 m or Hexagon 2.1 m
- 6.3 Screw (4x70) (4x) or Screw (4x70) (6x)

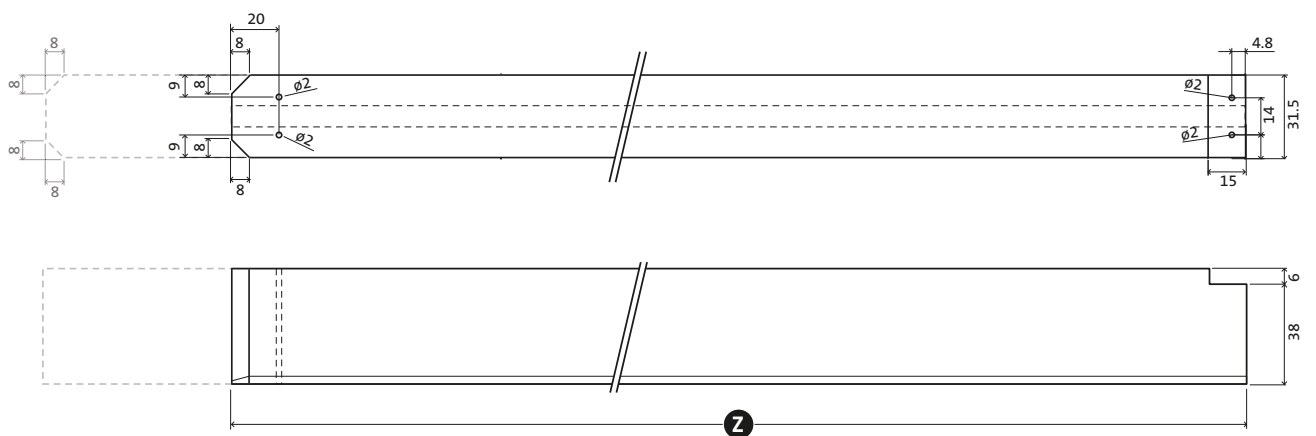


1 Determine Hexagon Guide length Z.



2 Cut the Hexagon Guide to size.

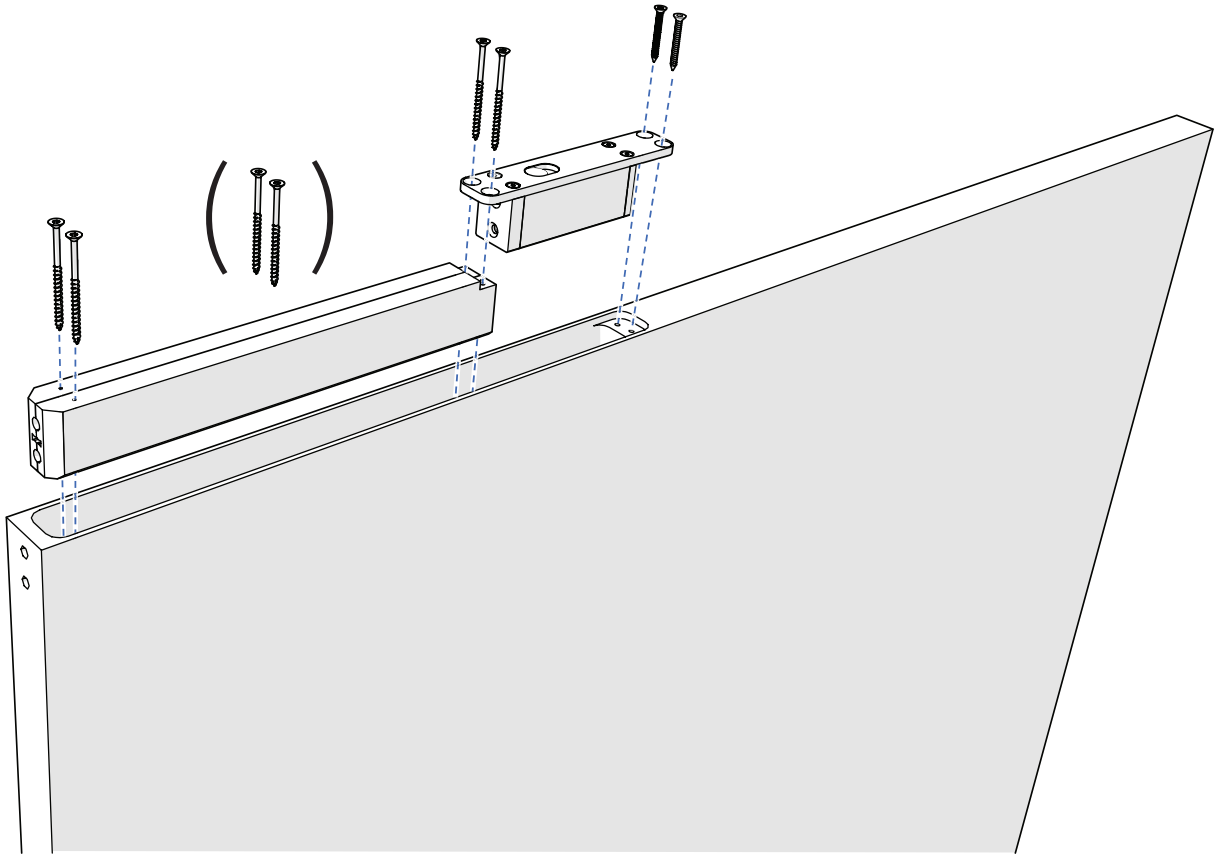
3 Chamfer the sides.





**4** Drill holes for the mounting screws\*. If you use the 1 m Hexagon Guide, two screws are enough. If you use the 2 m Hexagon Guide, use an extra pair.

**5** Mount the Hexagon Guide and the top pivot.



**System One 40 mm** → continue on page **4**

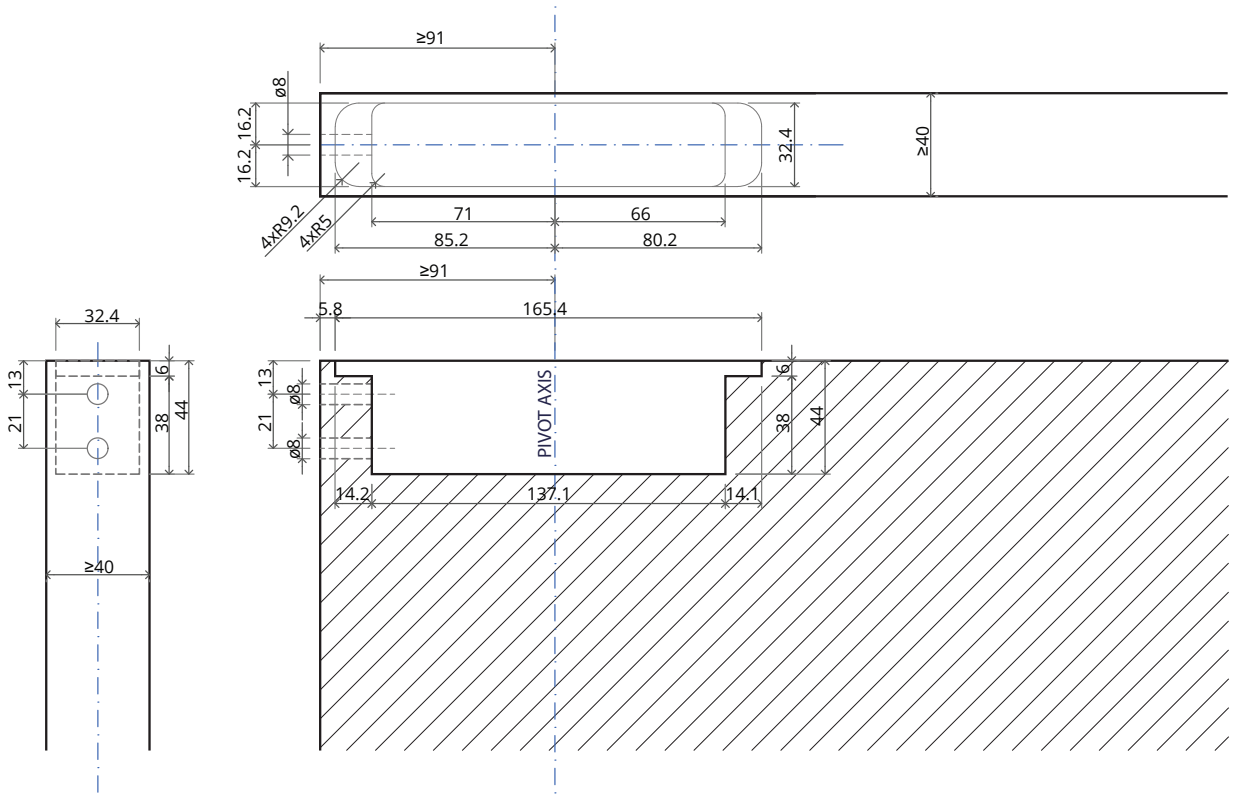
**System One 70 mm** → continue on page **6**

---

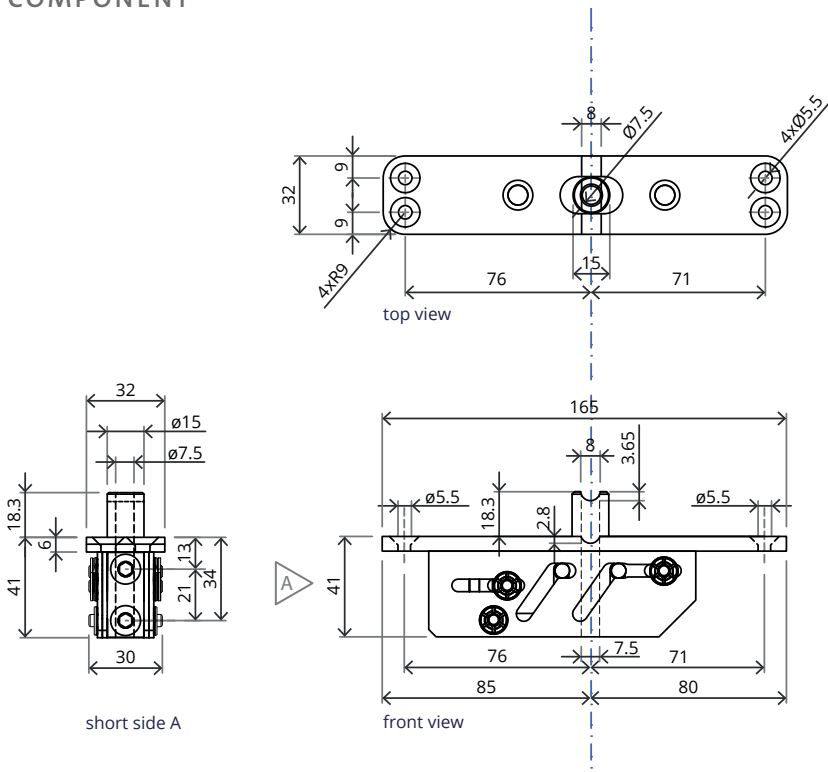
\* Alternatively, use glue (not included) to mount the Hexagon Guide.

# MILLING

## TOP PIVOT CABLE GROMMET PREPARING THE DOOR



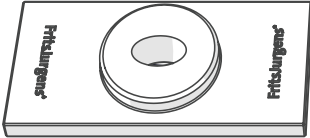
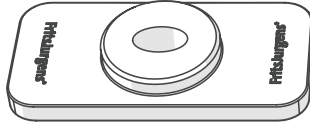
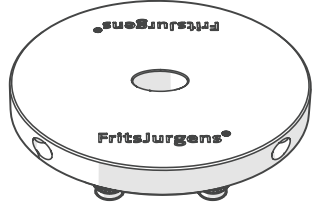
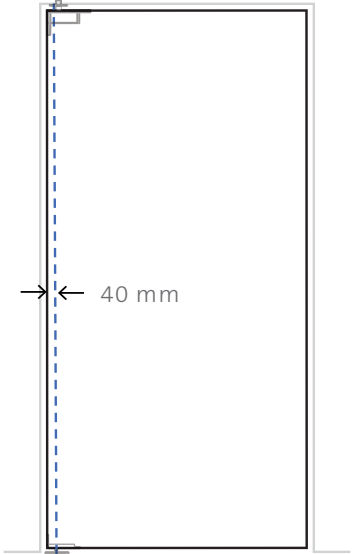
## COMPONENT



Top pivot Cable Grommet

Side placement

System One 40 mm



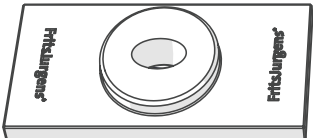
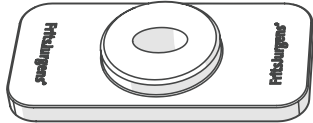
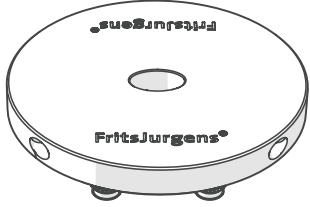
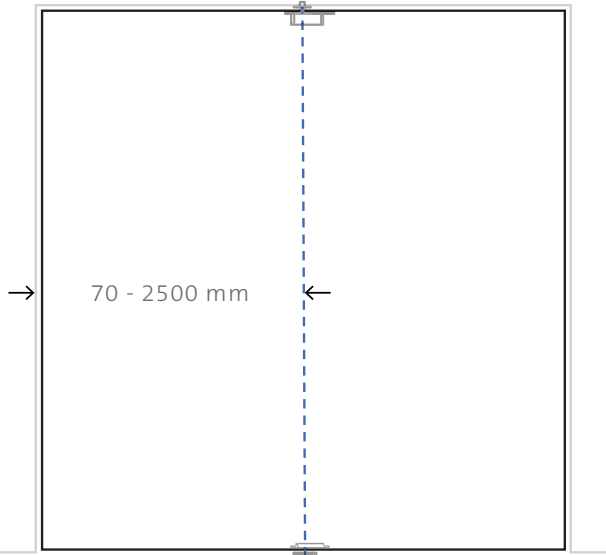
→ page 12

→ page 15

→ page 16

Off-centre or middle placement

System One 70 mm



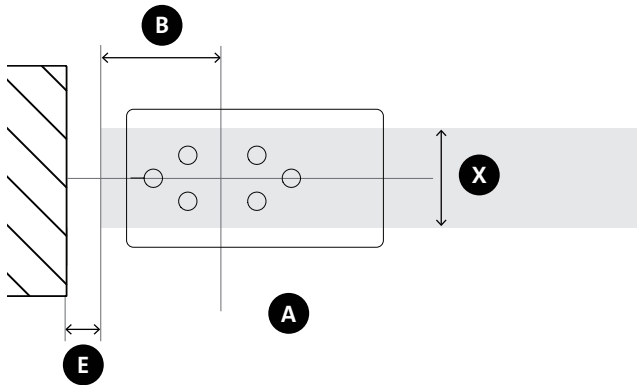
→ page 19

→ page 15

→ page 16

# MOUNTING INSTRUCTION

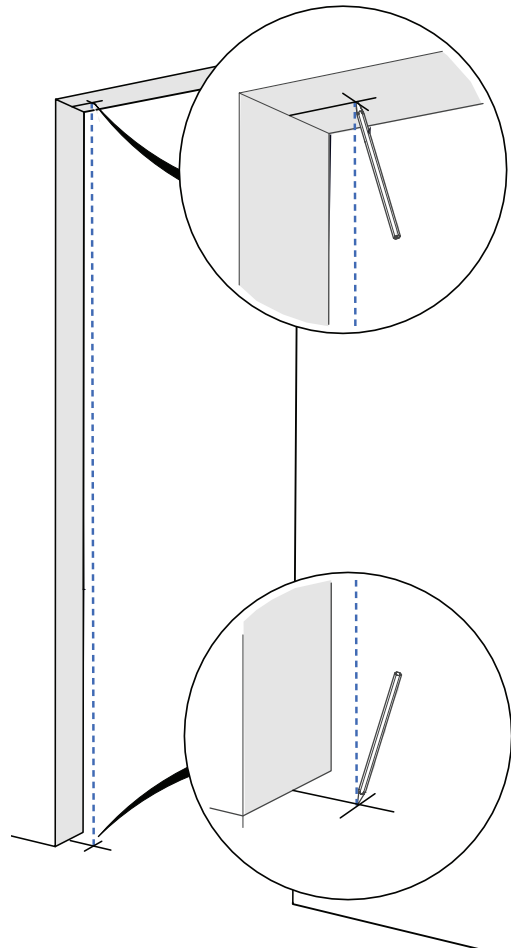
**1** Determine the position of pivot point **A** on the floor. Use the drilling template and the table below.



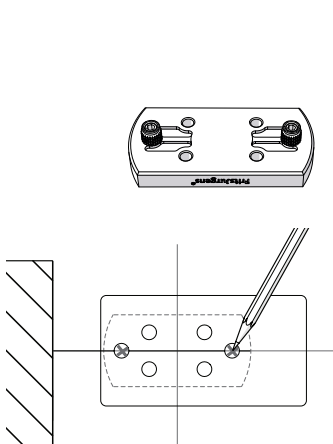
|      | 40 | 50 | 60 | 70 | 80 | 90 | 100 | X |
|------|----|----|----|----|----|----|-----|---|
| B    |    |    |    |    |    |    |     |   |
| 40   | 2  | 2  | 2  | 2  | 3  | 3  | 3   |   |
| 70   | 5  | 6  | 10 | 10 | 13 | 15 | 18  |   |
| 91   | 4  | 5  | 7  | 9  | 10 | 12 | 15  |   |
| 250  | 3  | 3  | 4  | 4  | 5  | 6  | 7   |   |
| 500  | 2  | 3  | 3  | 3  | 4  | 4  | 5   |   |
| 1000 | 2  | 2  | 3  | 3  | 3  | 3  | 3   |   |
| 1500 | 2  | 2  | 2  | 2  | 2  | 3  | 3   |   |
| 2000 | 2  | 2  | 2  | 2  | 2  | 2  | 3   | E |

- E** Minimum gap between door and wall (mm)
- B** Distance pivot point to door edge (mm)
- X** Door thickness (mm)

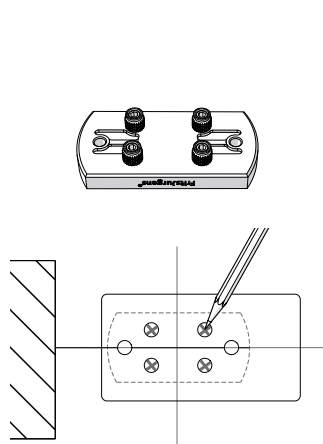
**2** Mark pivot point **A** on the floor and on the ceiling.



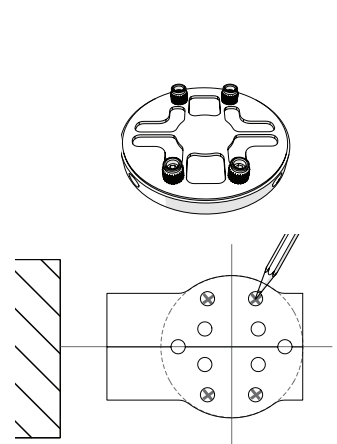
**3** Mark the drilling holes on the floor. Use the drilling template.



*Floor plate squarred NA or squarred black, one floor type*

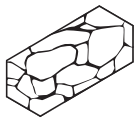


*Floor plate squarred NA or squarred black, one or two floor types*

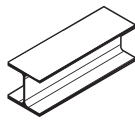


*Floor plate round, one or two floor types*

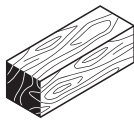
4 Select the correct drill bit for the floor and determine the drilling depth.



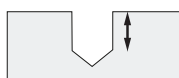
Ø8 mm  
(5/16")



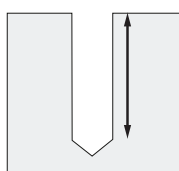
Ø8 mm  
(5/16")



Ø7.5 mm  
(19/64")

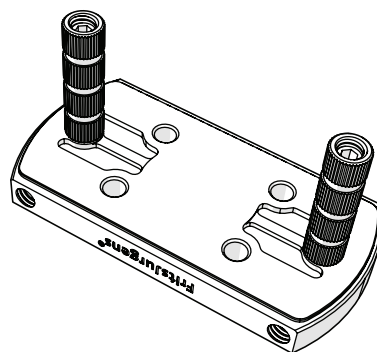
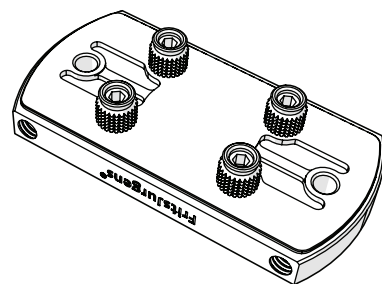
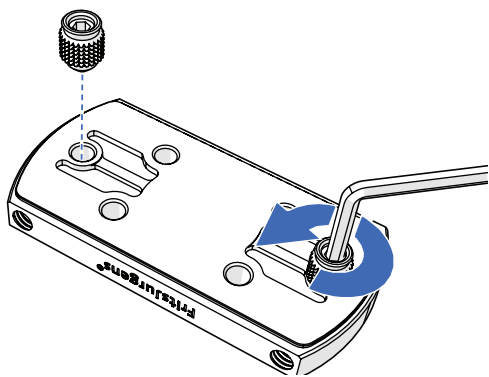


8 mm  
(5/16")

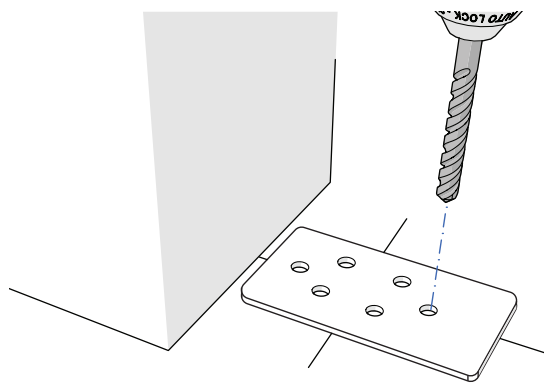


30 mm  
(1 3/16")

6 Determine the pin configuration for your situation. If necessary, use Allen key 3 to unmount the pre-installed pins and install the correct configuration.



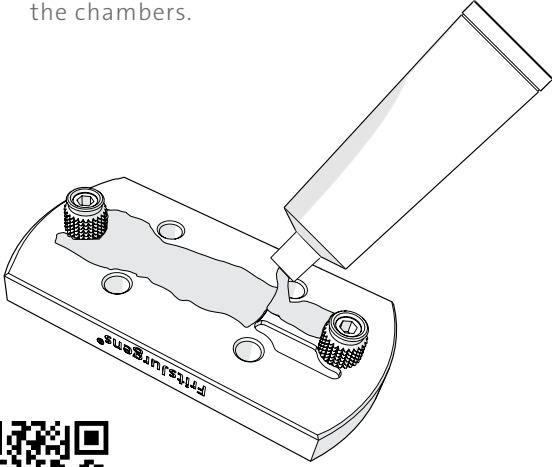
5 Drill the holes in the floor on the marked spots.



# MOUNTING

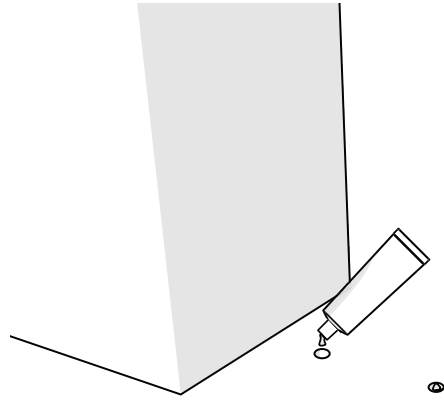
---

- 7 Fill the glue chambers in the floor plate with glue and apply a 1 mm layer of glue in between the chambers.

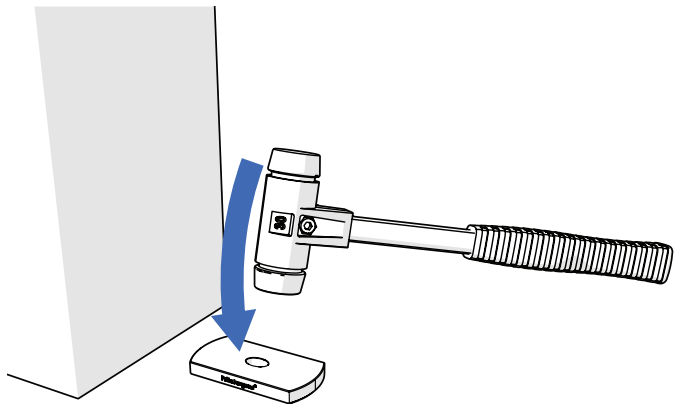
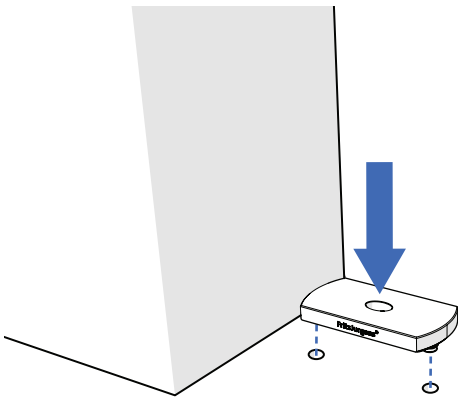


\* Scan the QR code for information about drying time and glue specifications.

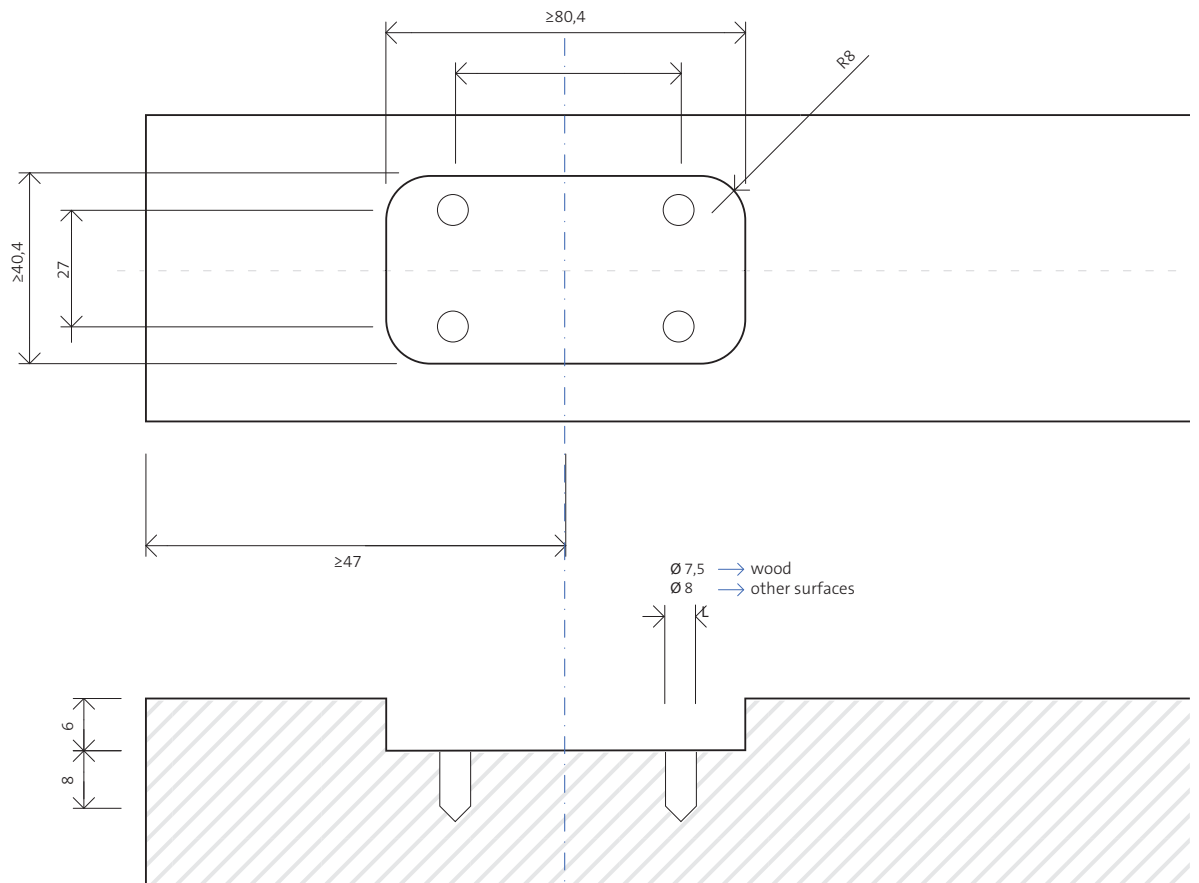
- 8 Add glue in the holes in the floor. Make sure the holes don't overflow when you place the floor plate.



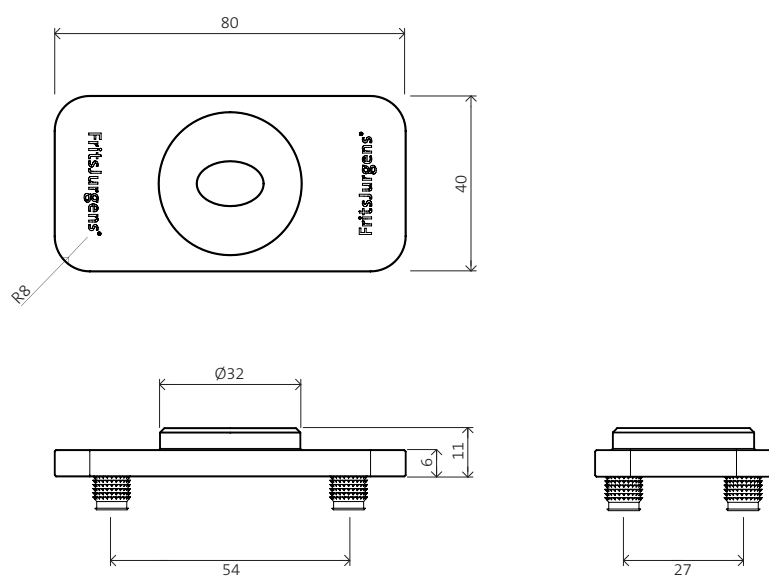
- 9 Use a rubber hammer to affix the floor plate.



FLOOR PLATE FLUSH ROUNDED  
PREPARING THE FLOOR OR SILL



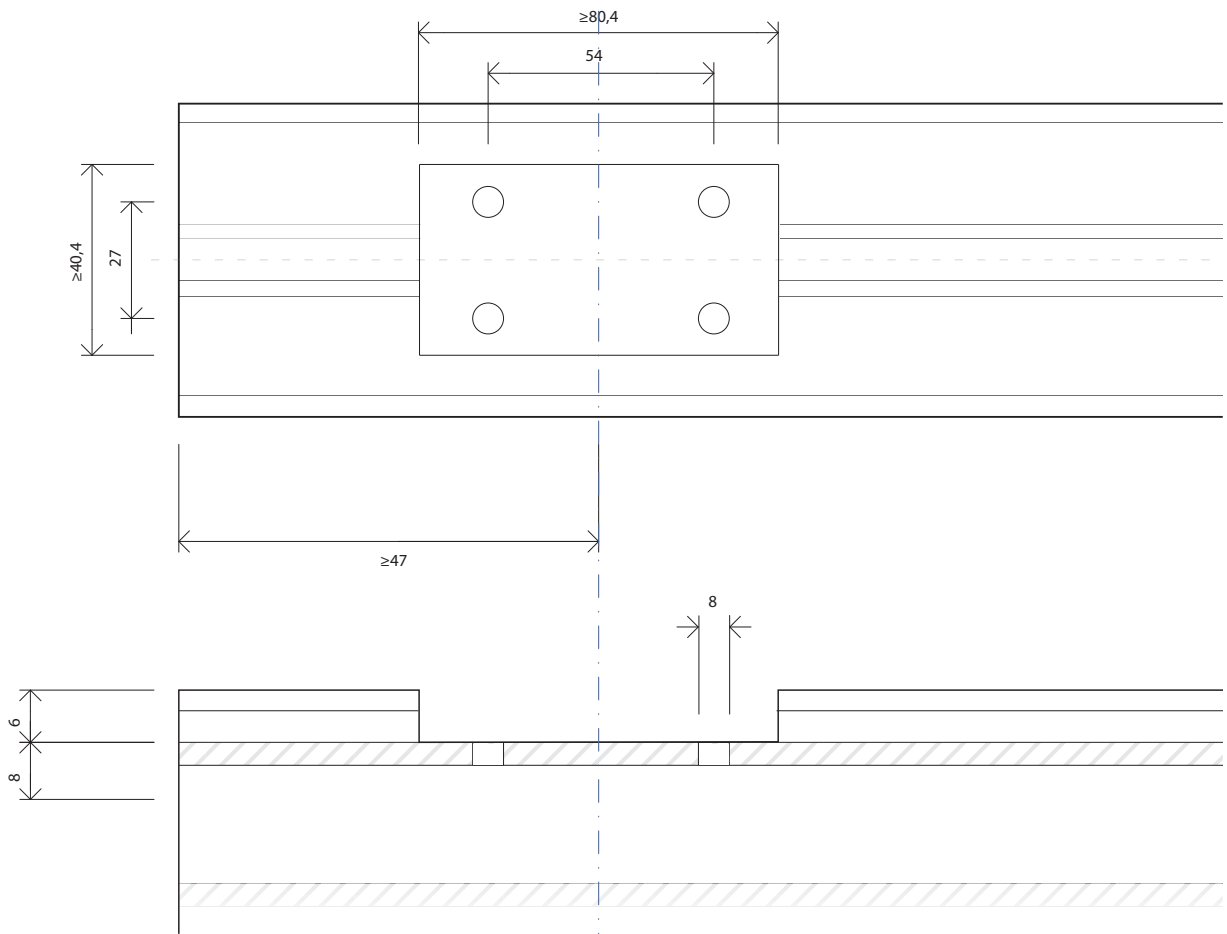
DIMENSIONS



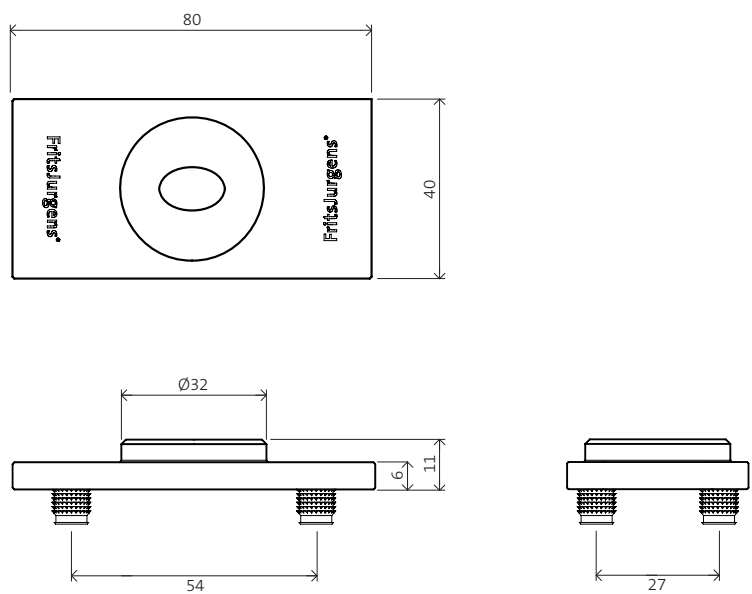
- Side placement: follow steps 7, 8 and 9 on page **14**
- Middle placement: follow steps 7, 8 and 9 on page **20**

# MOUNTING

## FLOOR PLATE FLUSH SQUARED PREPARING THE FLOOR OR SILL



## DIMENSIONS




- Side placement: follow steps 7, 8 and 9 on page **14**
- Middle placement: follow steps 7, 8 and 9 on page **20**




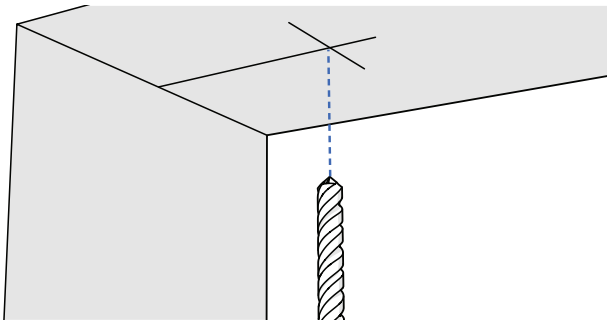
## CEILING PLATE

**1** Drill a hole for the ceiling plate.

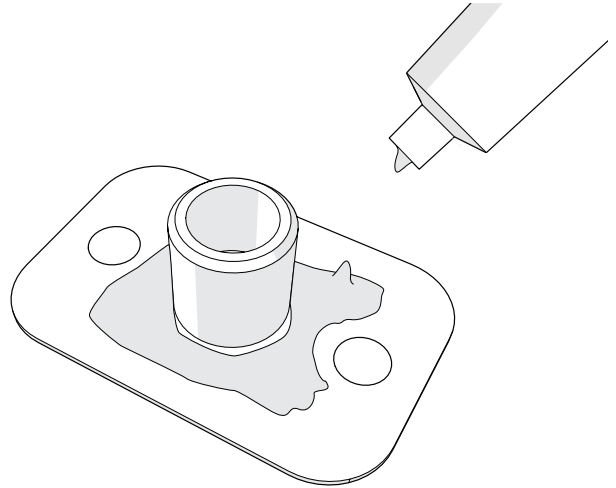
ceiling plate  
Class G  20 mm  
(25/32")

Ø20 mm  
(25/32")

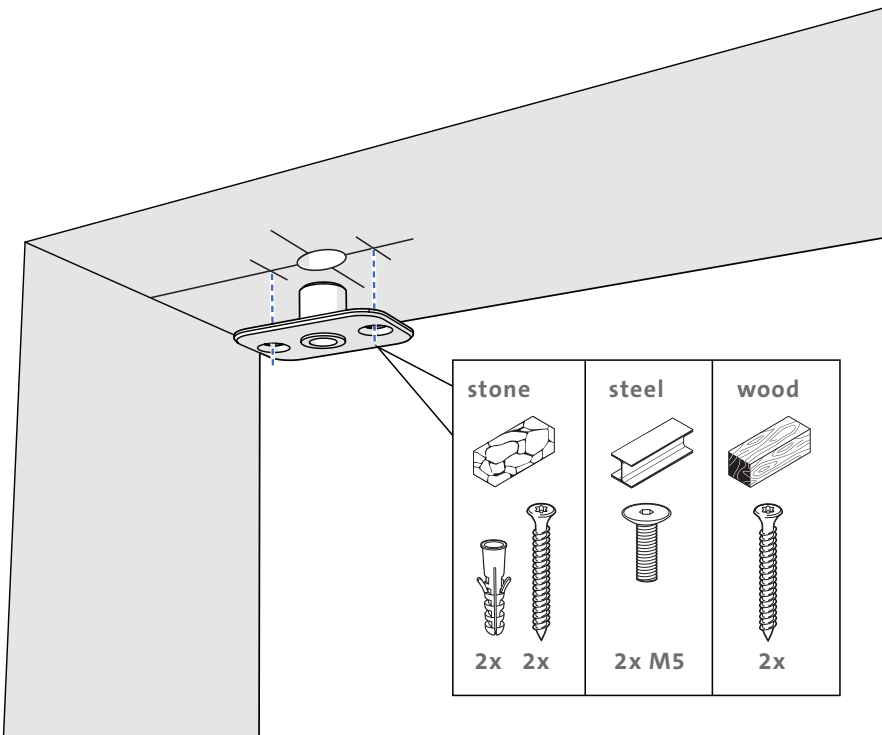
ceiling plate  
Cable  
Grommet  Ø20 mm  
(25/32")



**2** Apply a 1 mm thick layer of glue to the ceiling plate.



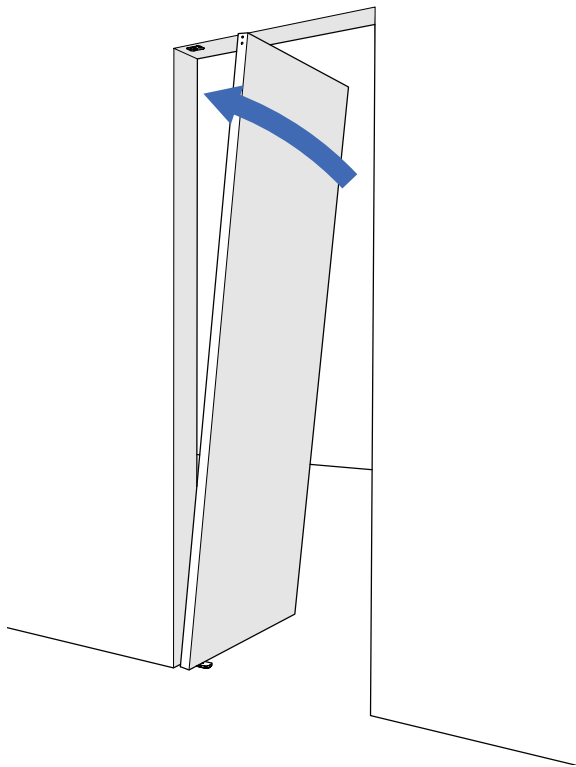
**3** Affix the ceiling plate.



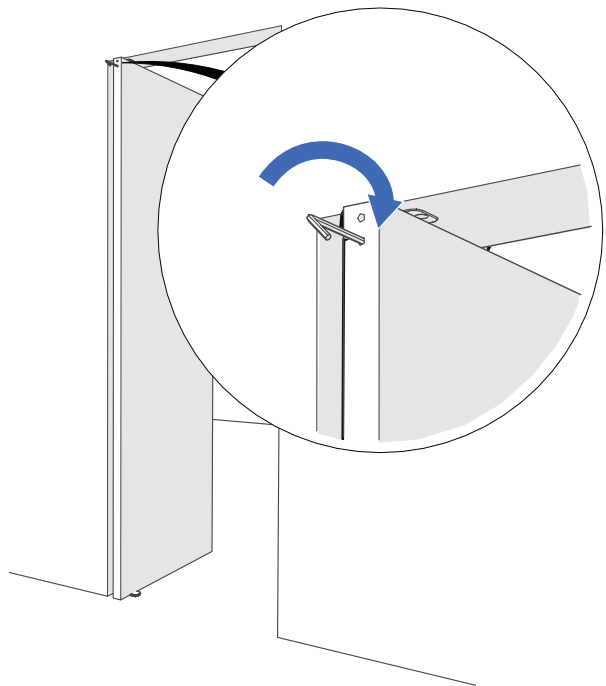
# MOUNTING

## DOOR

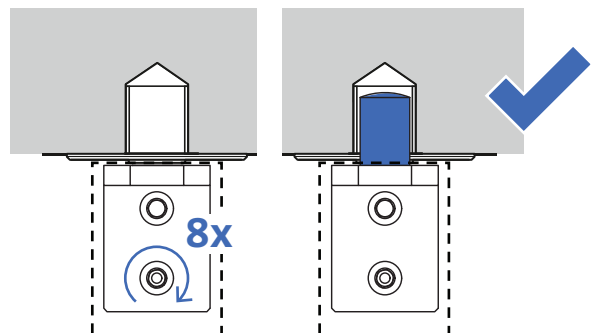
**1** Position the door on the floor plate. Make sure the bottom cam is positioned in the elliptical hole in the floor plate. Align the door with the ceiling plate.



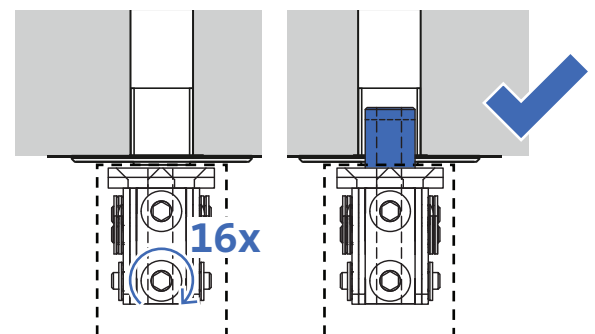
**2** Extend the pivot with Allen key 5 or use the Hexagon Guide (page 8, item 6.2).



Top pivot 70 mm → Turn the key **8** times.



Top pivot Cable Grommet → Turn the key **16** times.

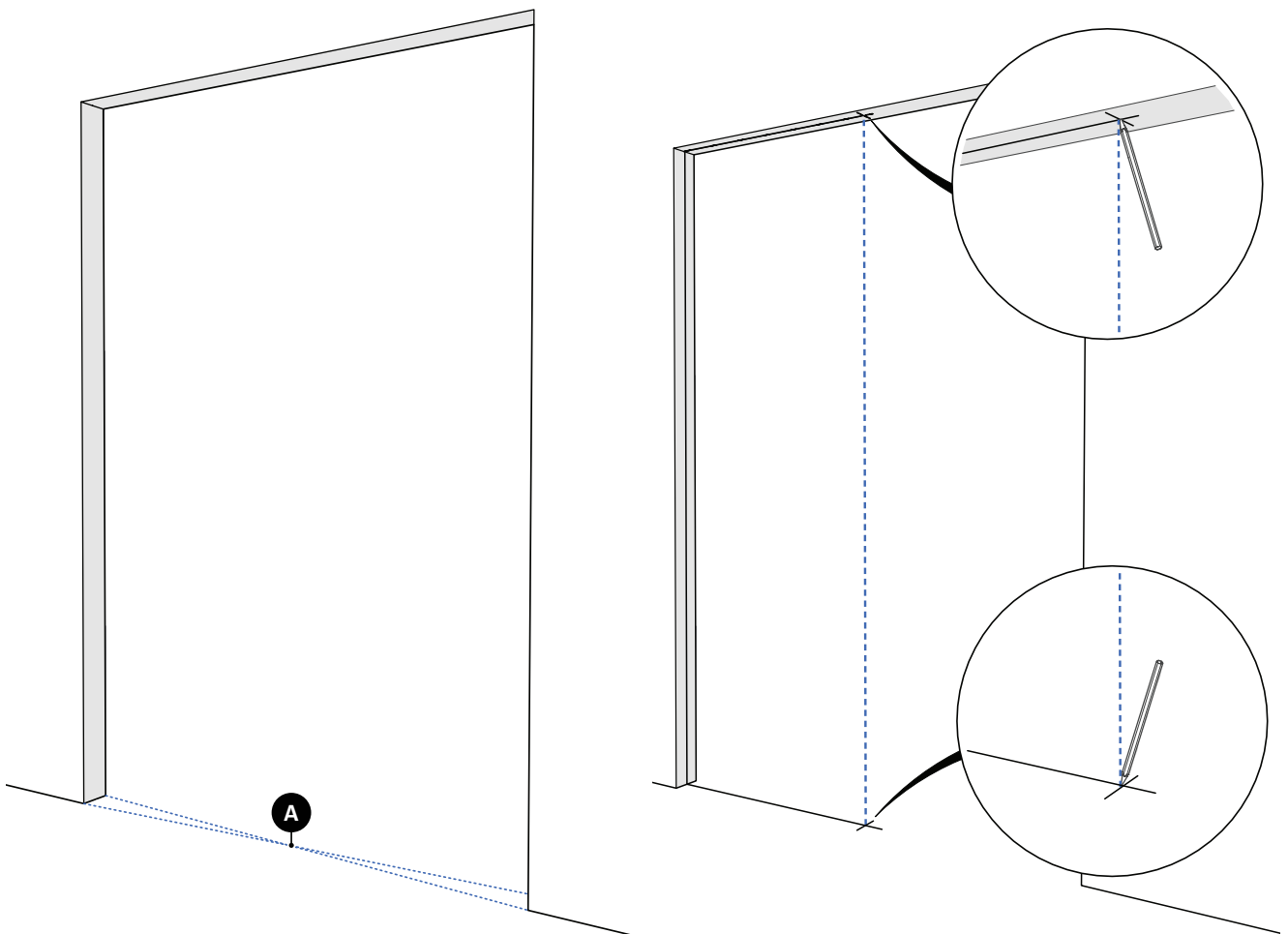


→ continue on page **23**

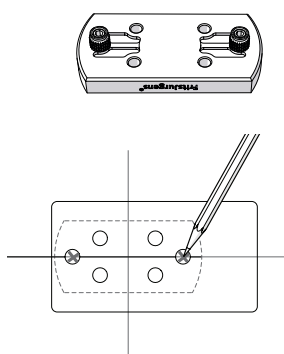
## FLOOR PLATE

**1** Determine the position of pivot point **A** in the middle of the door frame on the floor.

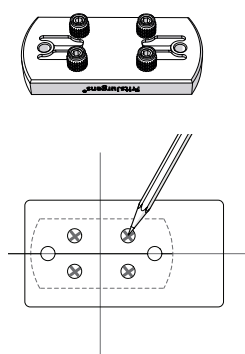
**2** Mark pivot point **A** on the floor and on the ceiling.



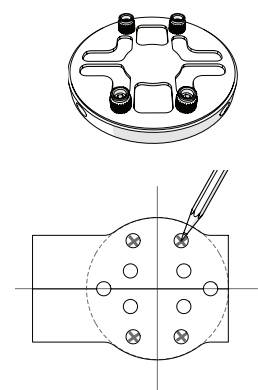
**3** Mark the drilling holes on the floor. Use the drilling template.



*Floor plate squared NA or squared black, one floor type*



*Floor plate squared NA or squared black, one or two floor types*

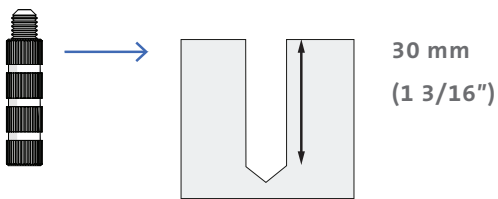
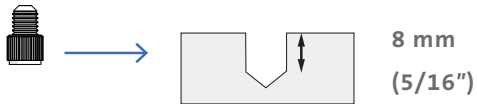
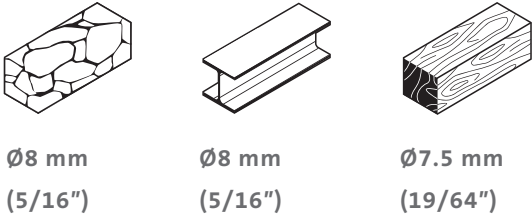


*Floor plate round, one or two floor types*

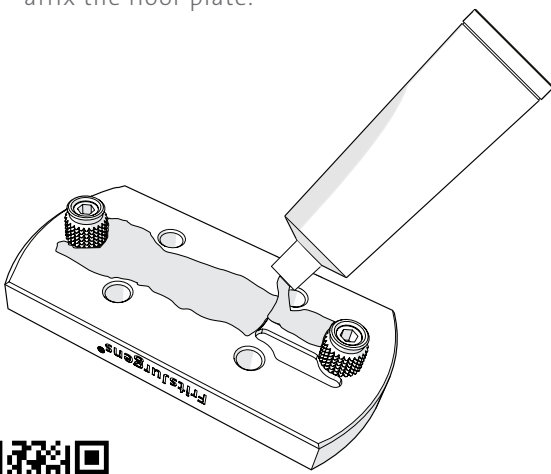
# MOUNTING

---

- 4 Select the correct drill bit for the floor and determine the drilling depth.

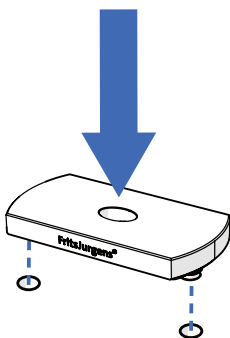


- 6 Apply a 1 mm thick layer of glue to the floor plate. Make sure the glue does not overflow when you affix the floor plate.

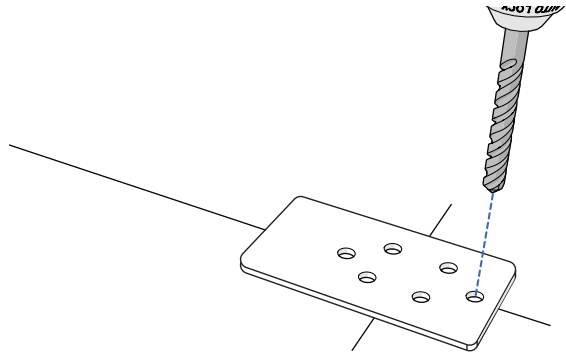


\* Scan the QR code for information about drying time and glue specifications.

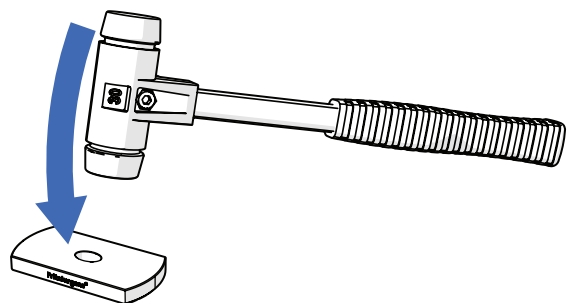
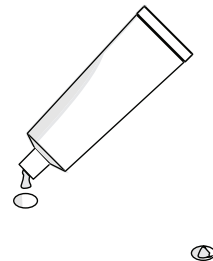
- 8 Use a rubber mallet to affix the floor plate.



- 5 Drill the holes in the floor on the marked spots.

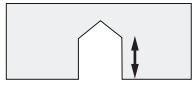



- 7 Add glue in the holes in the floor. Make sure the holes don't overflow when you place the floor plate.



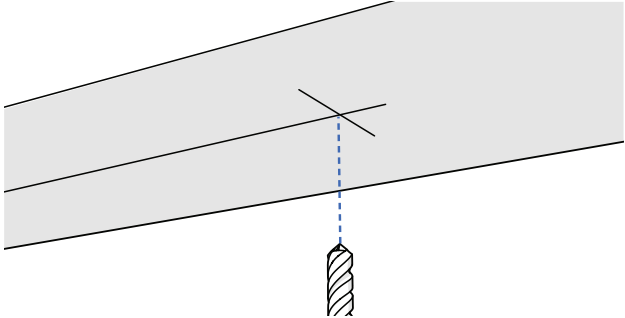
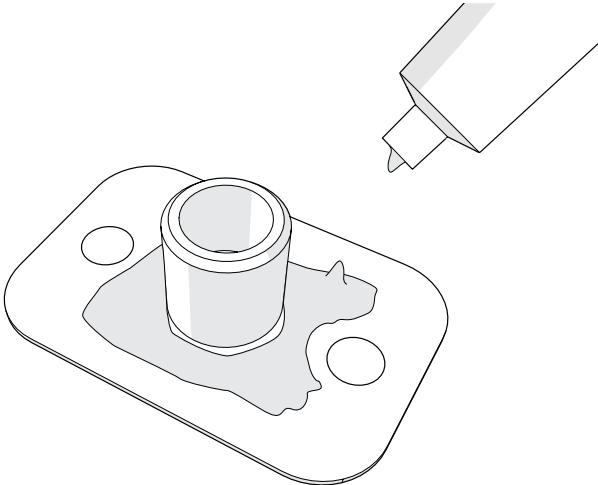
CEILING PLATE

1 Drill a hole for the ceiling plate.

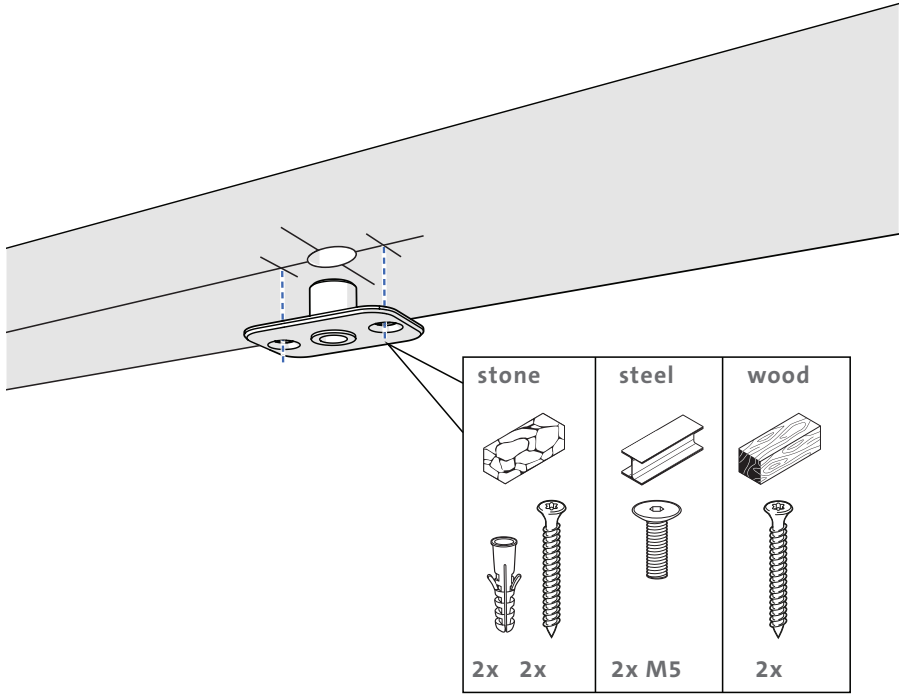
ceiling plate  
Class G  20 mm  $\varnothing 20$  mm  
(25/32") (25/32")

ceiling plate  
Cable  
Grommet   $\varnothing 20$  mm  
(25/32")

2 Apply a 1 mm thick layer of glue to the ceiling plate.



3 Affix the ceiling plate.

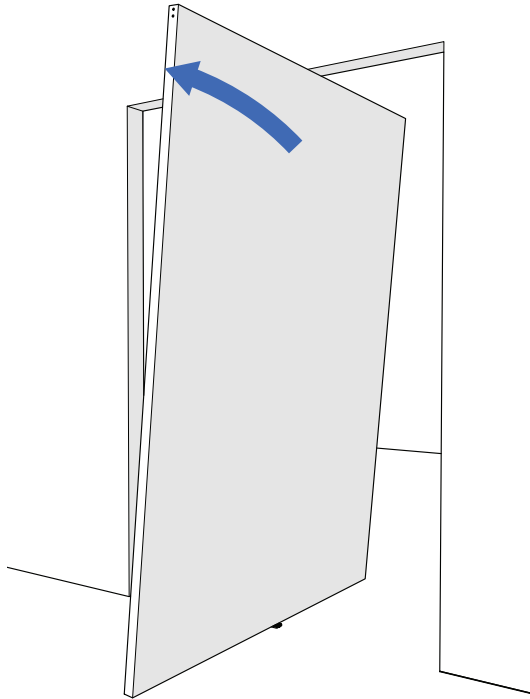


# MOUNTING

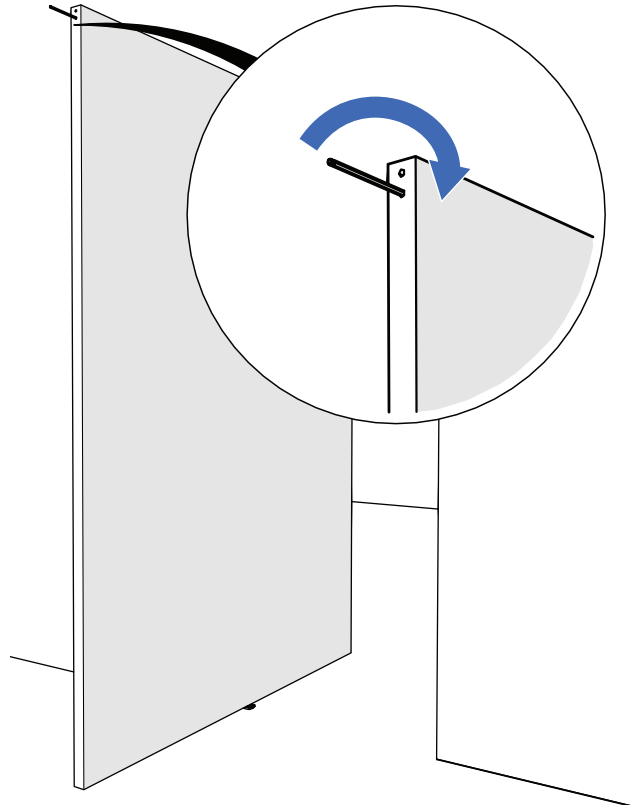
---

## DOOR

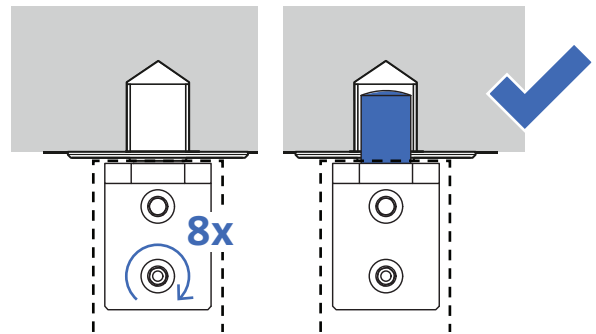
- 1 Position the door on the floor plate. Make sure the bottom cam is positioned in the elliptical hole in the floor plate. Align the door with the ceiling plate.



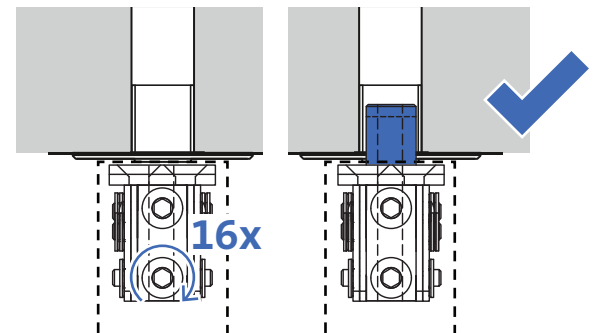
- 2 Extend the pivot with the key of the Hexagon Guide (page 8, item 6.2).



Top pivot 70 mm → Turn the key **8** times.



Top pivot Cable Grommet → Turn the key **16** times.

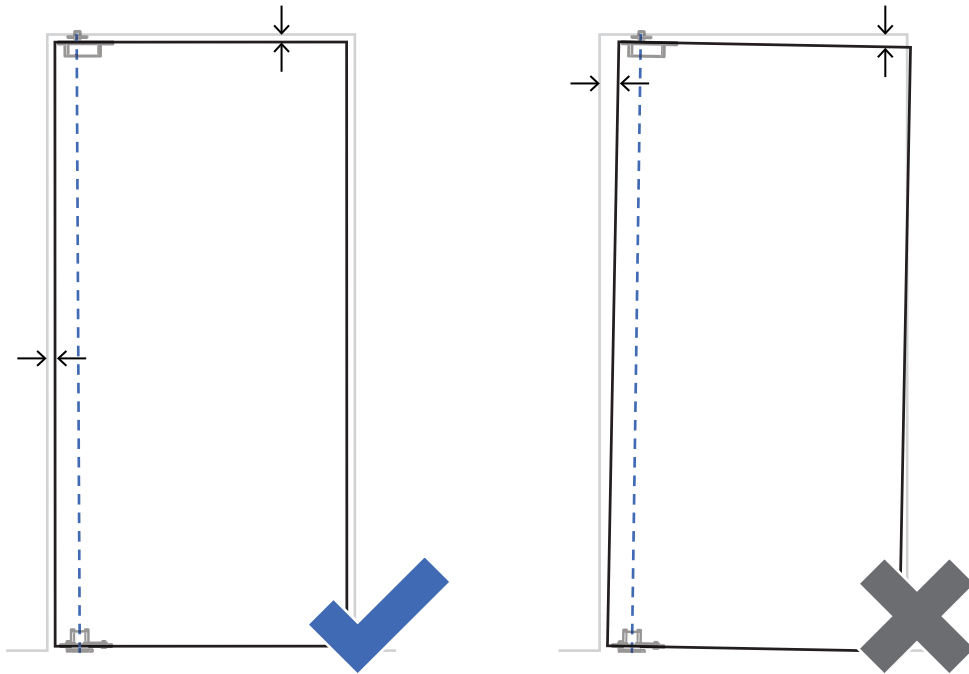


## SIDE PLACEMENT AND MIDDLE PLACEMENT

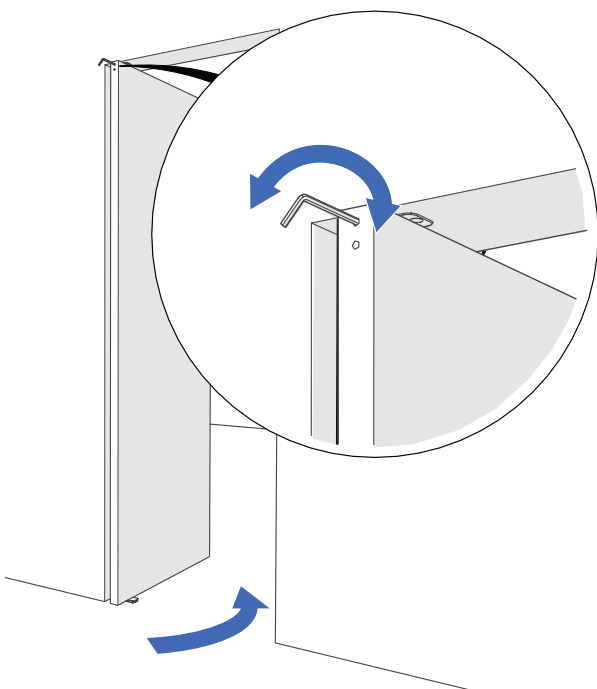
---

### FINE-TUNING THE CLOSING SEAM

- 1 Check if the door is aligned parallel to the ceiling and the wall.



- 2 Open the door. Use Allen key 5 or the key of the Hexagon Guide (page 8, item 6.2) until the door is aligned parallel to the ceiling and the wall.



# FritsJurgens®

## FRITSJURGENS INTERNATIONAL

A. Einsteinlaan 1  
9615 TE Kolham  
The Netherlands  
+31 598 343 410  
info@fritsjurgens.com

## FRITSJURGENS ITALIA (COMMERCIAL OFFICE)

Via Marsilio Ficino 22  
50132 Firenze  
Italy  
+39 055 064 0290  
info@fritsjurgens.com

## FRITSJURGENS DUBAI BRANCH

DLC-OP-A2-4-0029  
Dubai South  
Dubai  
United Arab Emeriates

FJ.IN.ONE.EN.2022

Copyright © FritsJurgens®

21-06-2023



8 720681 618821 >